

Thank you for purchasing our equipment. Please read this manual carefully and heed the safety warnings and instructions before installing, using or repairing the equipment. This will ensure not only the protection of persons, but also the long life of the equipment.

TECHNICAL PARAMETERS

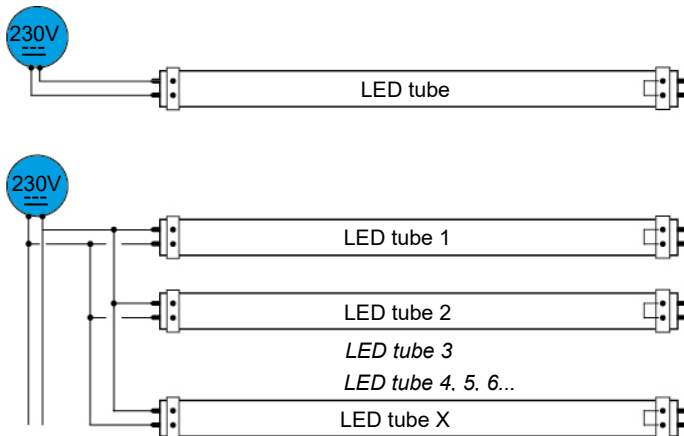
Code	Consumption	Luminous flux	Chromaticity temperature	Lifetime	Angle of illumination	Warm-up time	Colour rendering index	Voltage	Length	Bulb socket
WT130-A	9W	1260lm	4000 K	20 000 h	320°	<0,1 s	Ra: >80	175-250V, 50Hz	600mm	G13
WT131-A	18W	2520lm							1200mm	
WT132-A	22W	3080lm							1500mm	

Please note: Removal and installation of existing light sources for LED tubes may only be carried out by a person qualified in accordance with the applicable legislation. In case of unprofessional installation, the light source and the luminaire may be damaged and there is a risk of electric shock. This product is intended for indoor use only.

Procedure for replacing a magnetic ballast tube with an LED tube

1. Turn off the electricity
2. Remove the original fluorescent lamp
3. Remove the starter and replace it with a fuse
4. Mount the LED tube
5. Turn on the electricity

Connecting one or more tubes



The product has been issued with a CE declaration of conformity in accordance with the applicable regulations. On request from the manufacturer: info@solight.cz, or downloadable from www.solight.cz/en.